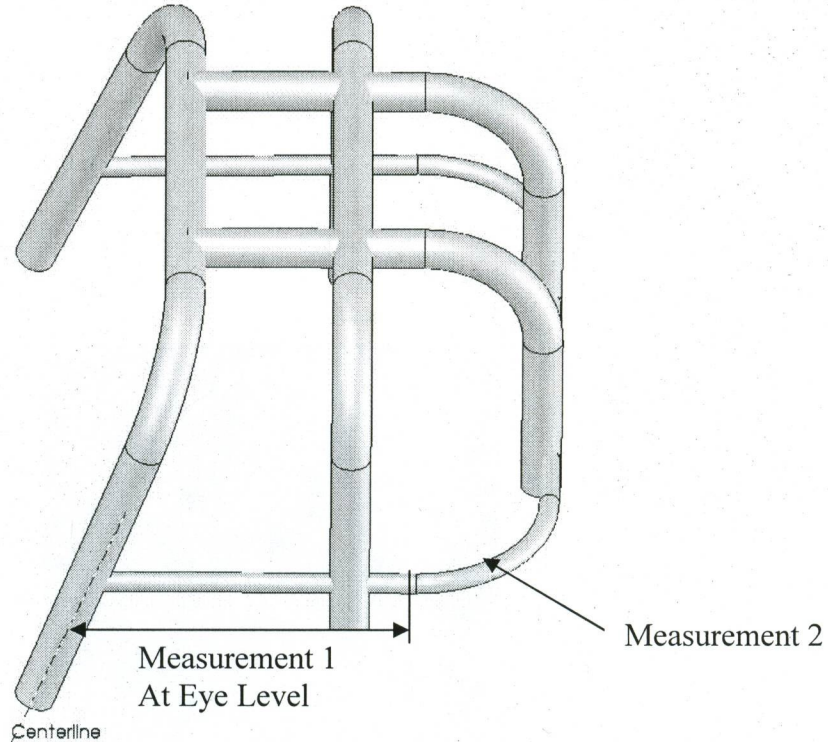


Lateral Head Support Measuring Procedure

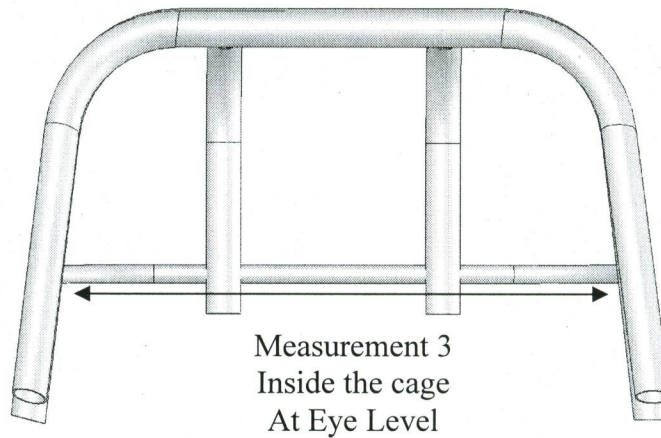
Here are the measurements we need in order to build a custom set of lateral head supports.

1. At eye level, the distance from the centerline of the front down tube back to the start of the rear radius. (See Picture 1 below)
2. Approximately the size of the rear radius. (most likely around 5.5in. but some are different) (see Picture 1 below)
3. At eye level, the distance from right to left inside the bars of the roll cage. This determines the width the pads need to be made. If there is a taper built in the cage, both the front and rear dimensions are needed for this measurement. (See Picture 2 below)

Picture 1



Picture 2



ButlerBuilt® Motorsports
(704)784-1027